



FVC 2004-EK  
FVC 4003-EK

---

English .....	3-14
Čeština.....	15-26
Slovenčina .....	27-38
Magyarul .....	39-50
Polski .....	51-62
Русский язык .....	63-74
Lietuvių k. ....	75-86

# Submersible Pump

## USER'S MANUAL

**Thank you for purchasing this submersible pump. Before you start using it, please carefully read this user's manual and save it for possible future use.**

## CONTENTS

1. GENERAL SAFETY INSTRUCTIONS .....	4
2. MACHINE DESCRIPTION AND INCLUDED CONTENTS.....	5
3. COMMISSIONING .....	5
4. OPERATING INSTRUCTIONS .....	7
5. MAINTENANCE AND STORAGE .....	8
6. TECHNICAL SPECIFICATIONS.....	9
7. WHAT TO DO "IF...." .....	10
8. DISPOSAL.....	11

# 1. GENERAL SAFETY INSTRUCTIONS

## IMPORTANT SAFETY NOTICE

- ✿ Carefully unpack the product and take care not to throw away any part of the packaging until all the product parts have been identified.
- ✿ Read all warnings and instructions. Failure to comply with the warnings and instructions may lead to electric shock, fire and/or serious injuries.

**⚠ ATTENTION:** Protect yourself against electric shock!

## PACKAGING

The device is located in a package that prevents damage during transport. This packaging is a resource and can be recycled.

## USER MANUAL

Before you start working with the submersible pump, read the following safety instructions and user's manual. Get familiar with all parts and correct use of the device. Keep the user's manual in a safe place for easy future reference. If giving the device to somebody else, do so together with the User manual. Following the instructions in the included User manual is a prerequisite for safe use of the garden appliance. The user's manual also contains operating, maintenance, and repair instructions.

**The manufacturer assumes no responsibility for accidents or damages arising from failure to comply with these instructions.**

## 2. MACHINE DESCRIPTION AND INCLUDED CONTENTS

Carefully take the tool out of the packaging and check whether all the following parts are present.

### MACHINE DESCRIPTION

(FIG. 1-3)

1. Transport handle
2. Power cord
3. Setting the float switch height
4. Float switch
5. Clean / muddy water cover
6. Connection with 1½" inner thread
7. Reducer
8. Elbow
9. Non-return exhaust flap
10. Non-return exhaust flap holder
11. Gasket ring

Fig. 1

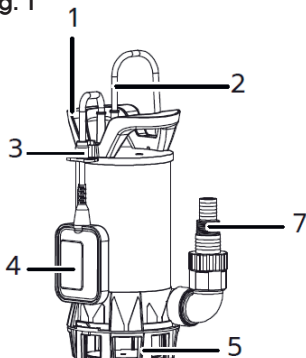
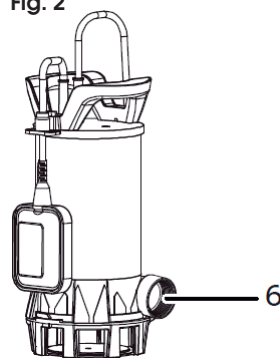


Fig. 2



### INCLUDED CONTENTS

- ✿ Submersible Pump
- ✿ Two covers for clean and muddy water
- ✿ User Manual
- ✿ Hose connection with pump elbow and non-return exhaust flap

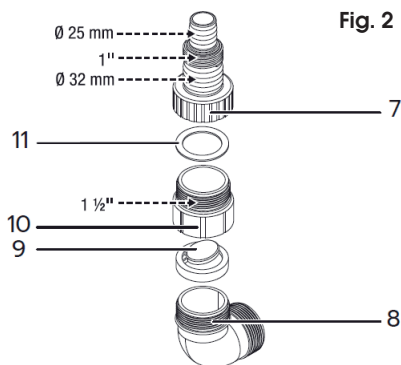
**⚠ ATTENTION:** The non-return exhaust flap cannot be used with muddy water cover.

If there are parts missing or they are damaged, please contact the vendor from whom you bought the machine.

## 3. COMMISSIONING

### CONNECTING THE HOSE

- ✿ Screw the connection onto the pump body. If disassembled, assemble as shown on Fig. 5 (for detailed description, see fig. 3).
- ✿ To connect a non-threaded hose with a diameter of 1" (25mm) or 1-1/4" (32mm), slide it onto a hose shank and secure with a hose tie, see Fig. 6.
- ✿ To connect a hose with 1" (25mm) diameter thread, cut the top of the hose shank (see Fig. 8), then screw the hose onto the shank and tighten firmly (see Fig. 7).



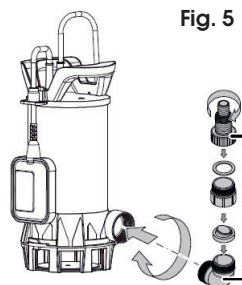


Fig. 5

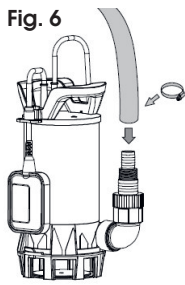


Fig. 6

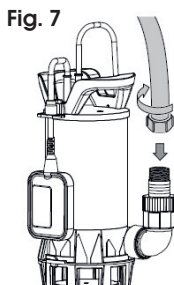
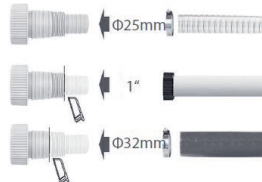


Fig. 7

Fig. 8



## INSTALLATION

Submersible pumps are installed as follows:

- ✿ in a still position with a rigid pipe.
- ✿ in a still position with a flexible pipe.
- ✿ You should never install the pump by hanging it on the outlet hose or power cord without additional support.
- ✿ The submersible pump must be hung on a holder (Fig. 5) or be placed on the bottom of the tank.
- ✿ Please immerse the pump in water under a slight angle to allow the any residual air to escape (Fig. 9).
- ✿ To ensure correct pump function, the bottom part of the tank must be protected against any kind of dirt (applies to clean water pumps) and against any larger residues (for the debris particle size, see each model's technical specifications).
- ✿ If the water level drops too low, any residue in the pumping pit will dry out quickly and prevent the pump from starting again. It is therefore essential to regularly inspect the submersible pump (by starting it).
- ✿ The float is set up in such a way that the pump may be started immediately.

Fig. 9

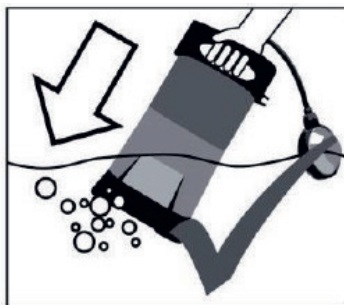
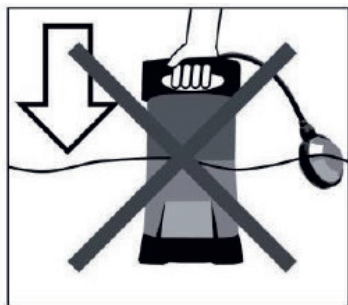


Fig. 10



After carefully reading these instructions you can prepare your pump for operation, however, keep the following points in mind:

- ✿ Make sure that the pump is standing on the bottom of the tank.
- ✿ Make sure that the discharge hose has been attached correctly.
- ✿ Make sure that the power supply matches 230V ~ 50Hz.
- ✿ Make sure that the power socket is in good condition.
- ✿ Make sure that the moisture from the water can never get to the input power supply.

- ✿ Prevent the pump from running empty.

Before commissioning the pump, please check the following points:

- ✿ The float switch is installed in such a way that it is possible to reach the activation level or the shut off level with only a small amount of force. After checking this installation, place the pump into a tank with water and carefully lift the float switch by hand and then put it down again while visually checking if the pump has started and then turned off.
- ✿ Ensure that the distance between the switching float and the pawl holder is not too small. It is not possible to guarantee correct operation when the gap is too small.
- ✿ As soon as you set the switching float, check that it is not touching the underlay before the pump turns off.
- ✿ The activity position of the float switch can be set by adjusting the float in the holder of the pawl.

**⚠ ATTENTION:** Danger of running when empty.

**📖 Note:** The pump tank should have the minimum dimensions of 40 x 40 x 50cm (height x width x depth) for the float to freely move with the switch.

## CONNECTING TO THE MAINS

Your new submersible pump is equipped with a power plug, preventing discharge, meeting rigorous standards. The pump is designed to be connected to a protected power socket 230V ~ 50Hz. Make sure that it is in perfect condition. Insert the plug into the socket and the pump is ready for use.

**⚠ ATTENTION:** If the power cord or power plug are in any way damaged by an external action, do not repair the power cord and contact an authorised service centre!

**⚠ ATTENTION:** This repair should only be performed by an authorised service centre.


# 4. OPERATING INSTRUCTIONS

## PURPOSE OF USE

- ✿ This pump may be used anywhere, where you wish to transfer water from one location to another, e.g. at home, agriculture, gardening, plumbing and for many other applications.
- ✿ This appliance is designed for private household use.
- ✿ It is not suitable for professional use.
- ✿ The submersible pump is suitable for work with water in a water distribution system and for chlorinated pool water.
- ✿ It is not suitable for work with waste water in sewage systems, salt water, aggressive or easily combustible substances, for work in food processing or as a pump for water jets on garden ponds.
- ✿ It is not designed for pumping potable water!

## INSTRUCTIONS FOR USE

**⚠ ATTENTION:** Before setting up or carrying out maintenance on the machine, or if the electric power cable has become jammed or is damaged, always disconnect it from the mains socket!

 Before using the submersible pump, please first carefully read all the safety instructions and instructions for use for the pump. Only after reading these instructions will you be able to safely and reliably use all the functions of the pump. You must conform to all local regulations in force in your country. These regulations are effective together with the particulars specified in these instructions.

**⚠ ATTENTION: If you will be using the pump near pools or garden ponds, or in their protective zone, the electrical grid must be equipped with a circuit breaker. The pump must not be used if there are people in the pool or garden pond! Also do not use the pump if there are fishes or other living creatures in the pool or garden pond. Contact an expert company for installation.**

- ✿ The submersible pump is designed to pump water at a maximum temperature of 35°C.
- ✿ The pump must not be used for other liquids, particularly motor oils, cleaning agents and other chemical products!

## ELECTRICAL SAFETY

- ✿ The pump can be connected to any power plug installed according to the given norms.
- ✿ The plug must be powered by 230V ~ 50Hz supply.

**⚠ ATTENTION - Important for the protection of your personal safety.** Before first starting your new submersible pump, have a professional check the following items:

- Grounding
- Neutral conductor
- The current circuit breaker must conform to energy safety standards and function correctly.
- The electrical connection must be protected against moisture.
- If there is a risk of the electrical connection being flooded, it must be moved higher.
- In all situations, prevent the circulation of aggressive liquids and coarse materials.
- The submersible pump must be protected against frost.
- The pump must be protected against dry running.
- Prevent children from accessing parts of the pump by taking the appropriate measures.

# 5. MAINTENANCE AND STORAGE

This submersible pump is approved as a maintenance-free, high quality product undergoing several final inspections. We recommend you perform regular inspections and maintenance, which will ensure a long lifetime and continuous performance.

**⚠ ATTENTION:** Disconnect the power source before performing any maintenance.

## MAINTENANCE

- ✿ If the pump is regularly moved during operation, it should be rinsed out after each use with clean water.
- ✿ If the pump is permanently installed, the working order of the float switch should be checked every 3 months.
- ✿ Any fibrous deposits that could deposit themselves inside the pump, should be removed using a water current.

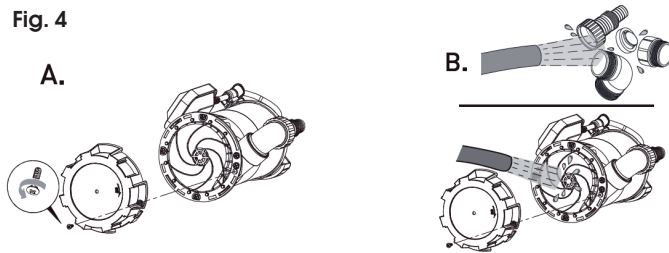


- ✿ Mud should be cleaned from the floor of the pumping pit every 3 months.
- ✿ Remove deposits on the float using clean water.

### CLEANING THE PUMP IMPELLER

If an excessive amount of debris accumulates in the pump body, flush the pump out in clean water, see Fig. 4.

Fig. 4



## 6. TECHNICAL SPECIFICATIONS

	<b>FVC 2004-EK</b>	<b>FVC 4003-EK</b>
Voltage/Frequency	230V ~ 50Hz	230V ~ 50Hz
Input Power	400W	900W
Maximum transferred amount	8000 l/h	17000 l/h
Maximum Delivery	6m	8m
Maximum submersible depth	5m	7m
Maximum temperature of the media	35°C	35°C
Maximum diameter of solid additives in the media	1/ 5/ 35mm	1/ 5/ 35mm
Switching point height: ON (in auto mode)	About 50cm	About 50cm
Switching point height: OFF (in auto mode)	About 25cm	About 25cm

## 7. WHAT TO DO "IF...."

If...	Causes	Repairs
The pump does not start	<ul style="list-style-type: none"> <li>- No power supply</li> <li>- The float won't switch</li> </ul>	<ul style="list-style-type: none"> <li>- Check the power supply</li> <li>- Move the float to a higher position</li> </ul>
No flow	<ul style="list-style-type: none"> <li>- The suction strainer is clogged</li> <li>- The pressure hose is bent</li> </ul>	<ul style="list-style-type: none"> <li>- Flush out the suction strainer under running water</li> <li>- Straighten the hose</li> </ul>
The pump won't turn off	<ul style="list-style-type: none"> <li>- The float cannot lower</li> </ul>	<ul style="list-style-type: none"> <li>- Place the pump correctly on the tank floor</li> </ul>
Insufficient flow	<ul style="list-style-type: none"> <li>- The suction strainer is clogged</li> <li>- Reduced pump capacity due to dirty and fouled water</li> </ul>	<ul style="list-style-type: none"> <li>- Clean the suction strainer</li> <li>- Clean the pump and flush the hose with clean water</li> </ul>
The pump turns off after a short time	<ul style="list-style-type: none"> <li>- The temperature fuse stops the pump due to dirty water</li> <li>- The water is too hot The temperature fuse stops the pump</li> </ul>	<ul style="list-style-type: none"> <li>- Disconnect the power plug</li> <li>- Clean both pump and pit</li> <li>- Make sure that the maximum water temperature of 35°C is not exceeded</li> </ul>

 **Note:** Not covered by the warranty:

- ✿ Damage to the rotating mechanical gasket caused by running the pump empty, or by foreign objects in the water
- ✿ The running impeller is locked by foreign objects
- ✿ Damage during transport
- ✿ Damage caused by unprofessional tampering

## 8. DISPOSAL

### **INSTRUCTIONS AND INFORMATION ON DISPOSAL OF USED PACKAGING MATERIAL**

Dispose of used packaging material at the location designated by the municipality for waste disposal.

### **DISPOSAL OF USED ELECTRICAL AND ELECTRONIC EQUIPMENT**



This symbol on products or original documents means that used electric or electronic products must not be added to ordinary municipal waste. For proper disposal and recycling of these products, deliver them to designated collection points. Alternatively, in some European Union states or other European countries the products can be returned to the local retailer when buying an equivalent new product. By properly disposing of this product, you help preserve valuable natural resources and contribute to preventing potential negative impacts on the environment and human health resulting from improper waste disposal. For further details, contact your local authorities or the nearest collection point. Fines may be imposed for improper disposal of this type of waste in accordance with national regulations.

#### **For business entities in European Union states**

If you want to dispose of electric or electronic devices, ask your retailer or supplier for the necessary information.

#### **Disposal in other countries outside the European Union**

This symbol is valid in the European Union. If you wish to discard this product, ask your local authorities or retailer about proper disposal.



This product meets all the basic requirements of the applicable EU directives.

The text, design and technical specifications may be changed without prior notice and we reserve the right to make these changes.

User manual in the original language.

# FAST®

**FAST ČR, a.s.**  
 U Sanitasu 1621, 251 01 Říčany, Czech Republic  
 tel.: +420 323 204 111, fax: +420 323 204 110

## EU DECLARATION OF CONFORMITY

**Product / brand:** Submersible Pump / **FIELDMANN**

**Type / model:** **FVC 2004-EK** as factory model BDP40011  
 AC 230V, 50Hz, 400W, Max. total head 5m; Class I, IPX8

**Manufacturer:** FAST ČR, a.s.  
 U Sanitasu 1621, 251 01 Říčany, Czech Republic  
 VAT no: CZ2477749

**This declaration of conformity is issued under the sole responsibility of the manufacturer.  
 Person in charge of completing the technical documentation: FAST ČR, a.s.**

**The object of the declaration described above is in conformity with the relevant Union harmonization legislation:**

Directive LVD 2014/35/EU Directive EMC 2014/30/EU  
 Directive RoHS 2011/65/EU+(EU)2015/863

**The relevant harmonized standards and the other technical specifications:**

EN 60335-1:2012+A11+A13+A14+A15+A16	EN IEC 55014-1:2021
EN IEC 60335-2-41:2021+A11	EN IEC 55014-2:2021
EN 62233:2008	EN IEC 61000-3-2:2019+A1
	EN 61000-3-3:2013+A1+A2

# CE

**Place of issuance:** Prague  
**Date of issuance:** 01. 10. 2024

**Name:** Luboš Cinek - Responsible Person  
**Signature:**

**FAST** FAST ČR, a.s.  
 U Sanitasu 1621, 251 01 Říčany  
 tel.: +420 323 204 111  
 IČO: 247 77 749, DIČ: CZ 247 77 749

IČO:24777749, DIČ:CZ24777749

Bankovní spojení: Komerční banka Praha 1, č.ú. 89309011/0100, ČSOB Praha 1, č.ú. 8010-0116233383/0300  
 Česká spořitelna Praha 4, č.ú. 2375682/0800

# FAST<sup>®</sup>

**FAST ČR, a.s.**  
 U Sanitasu 1621, 251 01 Říčany, Czech Republic  
 tel.: +420 323 204 111, fax: +420 323 204 110

## EU DECLARATION OF CONFORMITY

**Product / brand:** Submersible Pump / **FIELDMANN**

**Type / model:** **FVC 4003-EK** as factory model BDP90011  
 AC 230V, 50Hz, 900W, Max. total head 9m; Class I, IPX8

**Manufacturer:** FAST ČR, a.s.  
 U Sanitasu 1621, 251 01 Říčany, Czech Republic  
 VAT no: CZ2477749

**This declaration of conformity is issued under the sole responsibility of the manufacturer.**  
**Person in charge of completing the technical documentation: FAST ČR, a.s.**

**The object of the declaration described above is in conformity with the relevant Union harmonization legislation:**

Directive LVD 2014/35/EU Directive EMC 2014/30/EU  
 Directive RoHS 2011/65/EU+(EU)2015/863

**The relevant harmonized standards and the other technical specifications:**

EN 60335-1:2012+A11+A13+A1+A14+A2+A15+A16	EN IEC 55014-1:2021
EN IEC 60335-2-41:2021+A11	EN IEC 55014-2:2021
EN 62233:2008	EN IEC 61000-3-2:2019+A1
	EN 61000-3-3:2013+A1+A2



**Place of issuance:** Prague  
**Date of issuance:** 01. 10. 2024

**Name:** Luboš Cinek - Responsible Person  
**Signature:**

  
**FAST ČR, a.s.**  
 U Sanitasu 1621, 251 01 Říčany  
 tel.: +420 323 204 111  
 IČO: 247 77 749, DIČ: CZ 247 77 749

IČO: 2477749, DIČ: CZ2477749

Bankovní spojení: Komerční banka Praha 1, č.ú. 89309011/0100, ČSOB Praha 1, č.ú. 8010-0116233383/0300  
 Česká spořitelna Praha 4, č.ú. 2375682/0800